



# TURN HVAC EYESORES INTO PROFITS!



\* "Air leakage accounts for between 25 percent and 40 percent of the energy used for heating and cooling in a typical residence." ENERGY STAR®



## Elevate Your HVAC Installs! Reputation • Differentiation • Profit



- ✓ Stops Costly Air Leakage
- ✓ Prevents Rodent & Bug Intrusion
- ✓ Protects Equipment Performance
- ✓ Isolates Piping for Vibration
- ✓ Noise Reduction



Stop Air Leakage



Stops Water Penetration



Pest & Rodent Intrusion



UV Weather Protection



Indoor Air Quality



Isolates Pipe Noise



Full Code Compliance



Made in the USA



**AIREX**  
**TITANOUTLET™**

760.343.2277 | [www.AirexMfg.com](http://www.AirexMfg.com)

# TITAN TRS OUTLET™

## NOW With an Optional 3/4" Gasket

The AIREX TITAN OUTLET™ now with an optional 3/4" Gasket make sealing pipe wall penetrations a snap. Perfect for sealing anywhere on lap siding, deep grout brick walls, stucco and stone wall. Save time and labor. No more trying to cut and remount siding, installing mounting brackets or other laborous methods.

The AIREX TITAN OUTLET™ engineered design gives every job a professional appearance. Sustainable gasket sealing against costly air leakage and preventing water penetration. Keeps out bug and rodent intrusion while supporting and isolating the piping from vibration.

- Prevents Expansion and Contraction
- Superior Weather & UV Resistance  
UL F1 Construction
- Permanent Support for Refrigeration Pipe



### TITAN OUTLET APPROVED PERFORMANCE TESTING

- ASTM E 2178 Air Permeance of Building Material
- ASTM D1525C Temperature Deformation Test
- UL 746C Outdoor Suitability – Rating F1



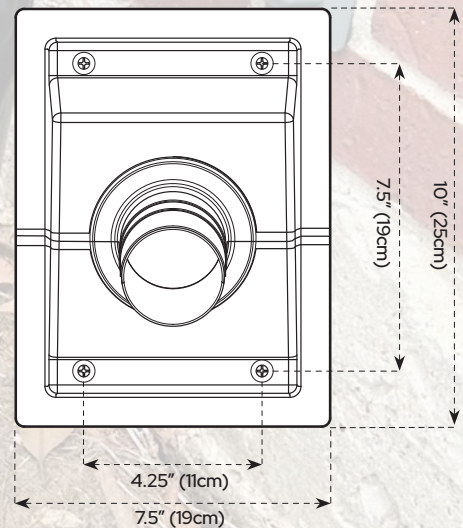
TRS should be combined with E-FLEX GUARD to protect insulation energy savings. Available as PRO-SYSTEM KIT

### Stucco, Masonry Applications

Model #	Suction Line Insulated	Both Lines Insulated Mini Splits - Heat Pumps	Diameter
TRS-550-G	(Fits: 1/2" wall thickness with 5/8", 3/4", 7/8" tube)	3/8" Wall Insulation Thickness	1.70" (4cm)
TRS-575-G	(Fits: 3/4" wall thickness with 5/8", 3/4", 7/8" tube)	1/2" Wall Insulation Thickness	2.38" (6cm)
TRS-510-G	(Fits: 1" wall thickness with 3/4", 7/8" tube or 3/4" wall thickness pipe insulation with 1-1/8" tube)	3/4" Wall Insulation Thickness	3.19" (8cm)

### TRS 3/4" GASKET

TRS-550-G-34	(Fits: 1/2" wall thickness with 5/8", 3/4", 7/8" tube)	3/8" Wall Insulation Thickness	1.70" (4cm)
TRS-575-G-34	(Fits: 3/4" wall thickness with 5/8", 3/4", 7/8" tube)	1/2" Wall Insulation Thickness	2.38" (6cm)
TRS-510-G-34	(Fits: 1" wall thickness with 5/8", 3/4", 7/8" tube or 3/4" wall thickness pipe insulation with 1-1/8" tube)	3/4" Wall Insulation Thickness	3.19" (8cm)



\*ENERGY STAR® Air Leakage 2006



Made in the USA



customerservice@airexmfg.com

